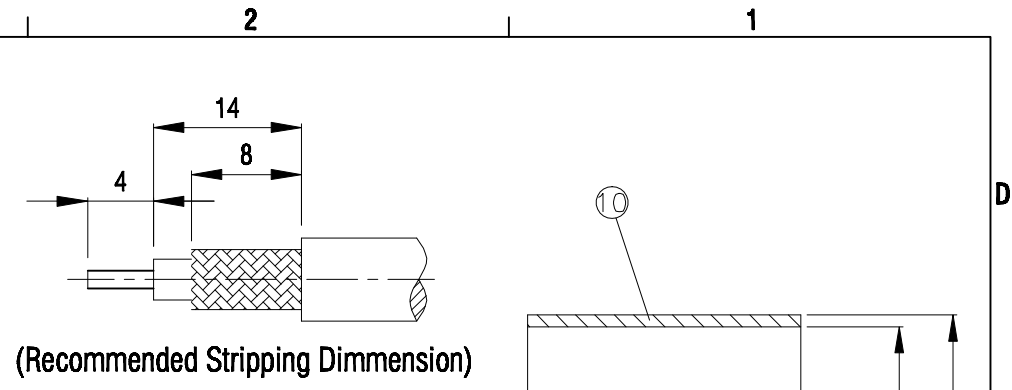


NO	DESCRIPTION	MATERIAL	Q'TY	FINISH	REMARK
1	BODY 1	BRASS	1	NICKEL	B-BNC0184-N
2	RUBBER	SI RUBBER	1	RUBBER	RU-0001
3	WASHER 1	BRASS	1	NICKEL	W-0026-N
4	WASHER 2	BRASS	1	NICKEL	W-0027-N
5	WASHER 3	BRASS	1	NICKEL	W-0025-N
6	INSULATION	TEFLON	1	TEFLON	I-0020T
7	BODY 2	BRASS	1	NICKEL	B-TNC0165-N
8	BODY 3	BRASS	1	NICKEL	B-N0050-N
9	PIN	BRASS	1	GOLD	P-TNC0109-G
10	RING	BRASS	1	NICKEL	R-0010-N
11	RING	BRASS	1	NICKEL	R-0057-N



D

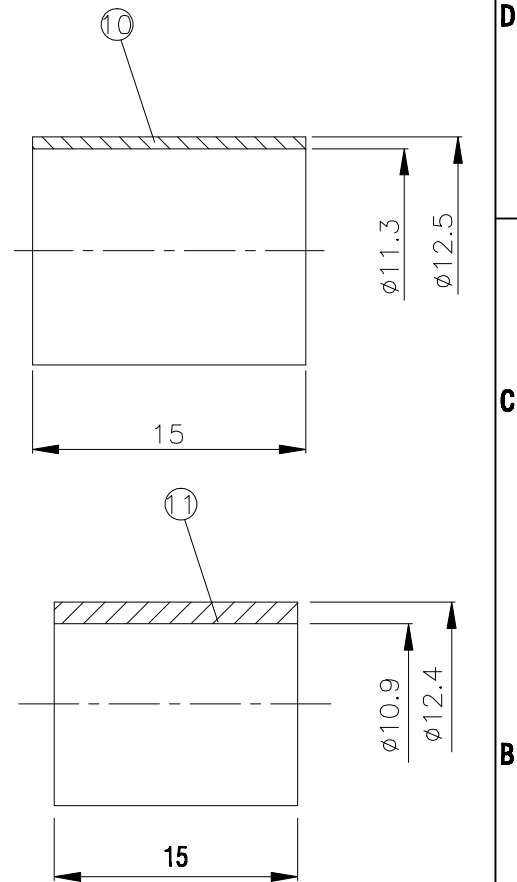
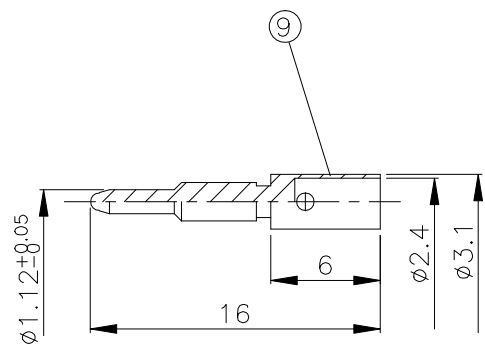
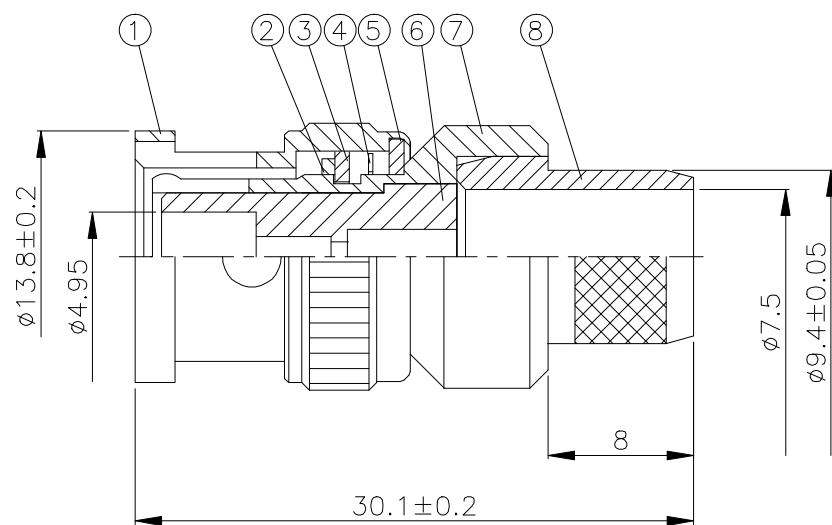
D

C

C

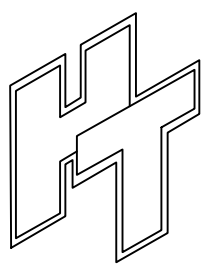
B

B



A

A



HUS-TSAN GROUP CO., LTD
 P.O. BOX 40-76.TAINAN TAIWAN,R.O.C.
TITLE BNC MALE CRIMP FOR RG 213/U
PART NO. BNC-05B-TGN-1
DRAWING NO. BNC 05B TGN -1

DRAWN 蘇姿潔
CHECKED 蘇志欣
Q.A. 林妙權
APPROVAL 徐燦霖
REVISION

DATE 98.10.02
DATE
DATE
DATE
DATE

DIMENSIONS ARE IN MILLIMETERS
UNLESS OTHERWISE SPECIFIED TOLERANCES
 0.5-5=±0.2 120-315=±1
 5-30=±0.4 315-1000=±1.6
 30-120=±0.6 1000-2000=±2.4
SCALE 4:1 **SIZE** A

REVISION	
DESCRIPTION	ENGINEER

4

3

2

1